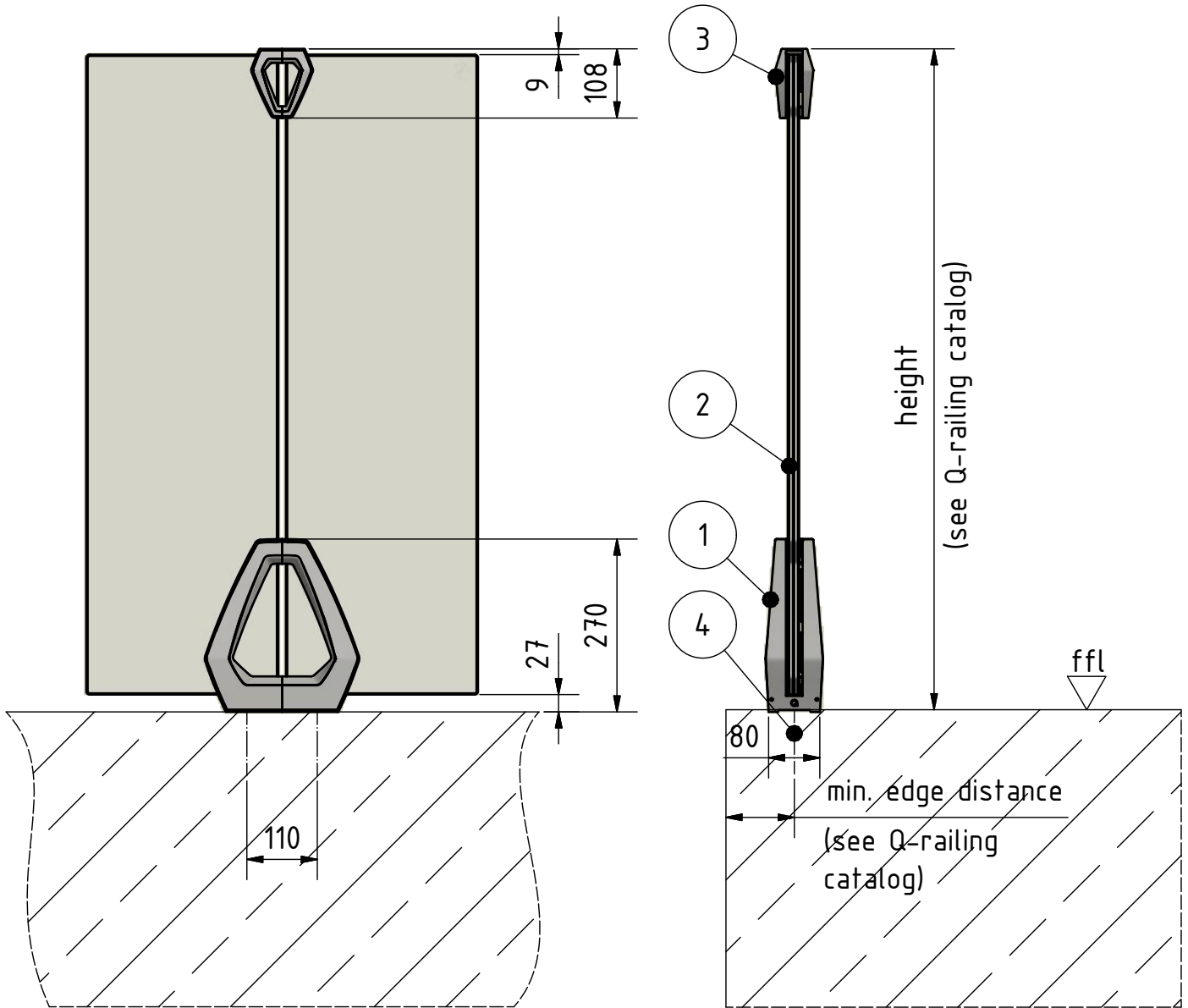


1. Base shoe (Easy Glass Air)
2. glass 15mm- 21,52mm
3. handrail bracket
4. anchor



SYSTEM: Easy Glass Air
MODEL: 6500
DESCRIPTION: Base shoe

DRAWN: TRR
DATE: 07.01.2019
DRAWING NO.: 6500_001

This detail drawing is for reference purposes only. The installer must check the specifications and details with the local situation and regulations. For further advice and service please contact your nearest Q-railing office.

© Q-railing Europe GmbH & Co. KG

THE PREMIUM BRAND IN RAILING SYSTEMS | WWW.Q-RAILING.COM

Q-railing